

# PRORIL

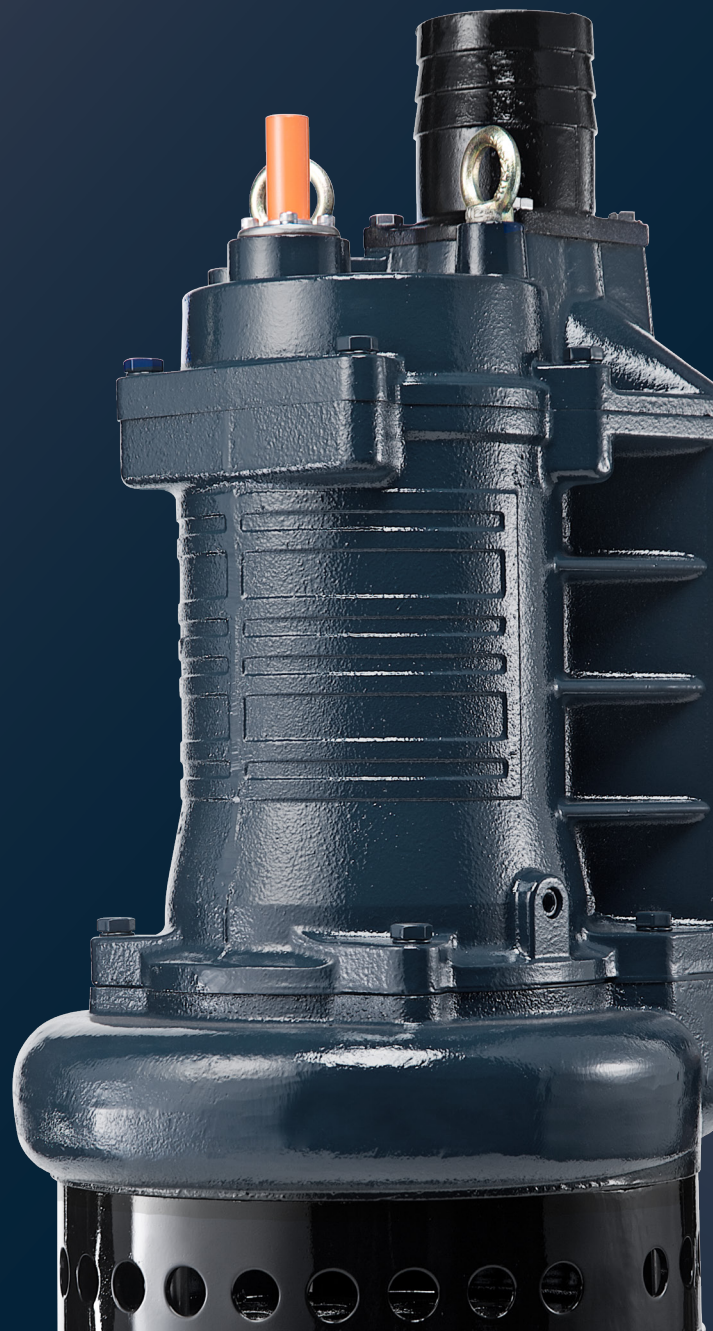
60Hz

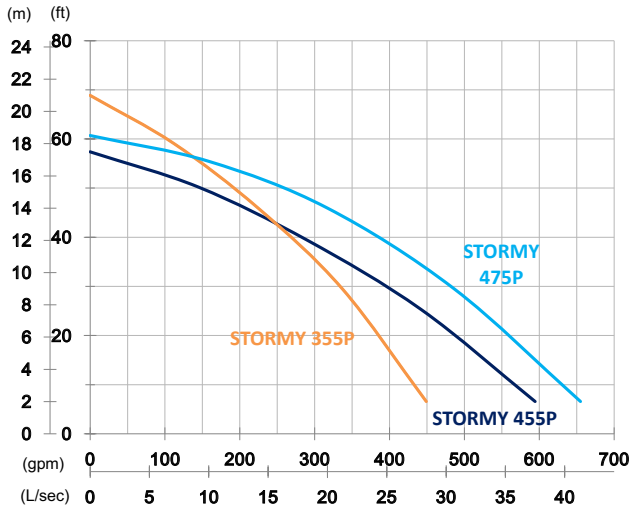
Serving a wide range of slurry transport applications, STORMY-P series pumps are designed for long wear life, low energy consumption, excellent performance, and easy maintenance. With patented ACrS Tech and rugged construction, these abrasion and corrosion resistant slurry pumps provide economical solutions for challenging slurry transportation.

## Slurry and Sand Pump

# STORMY 355P/455P/475P

### Open Stand and Agitator Pump





	STORMY 355P	STROMY 455P	STORMY 475P
<b>OUTPUT</b>	7.5 HP (5.5kW)	7.5 HP (5.5kW)	10 HP (7.5 kW)
<b>OUTLET</b>	3" (80 mm)	4" (100 mm)	4" (100 mm)
<b>SOLID PASSAGE</b>	1" (25 mm)	1" (25 mm)	1" (25 mm)
<b>Weight</b>	271 lbs/123 kg	273 lbs/124 kg	273 lbs/124 kg
<b>HEAD</b>	Rated: 46 ft, 14 m Max: 69 ft, 21 m	Rated: 39 ft, 12 m Max: 57 ft, 17.5 m	Rated: 46 ft, 14 m Max: 61 ft, 18.5 m
<b>FLOW</b>	Rated: 225 gpm, 14.2 L/s Max: 449 gpm, 28.3 L/s	Rated: 291 gpm, 18.3 L/s Max: 594 gpm, 37.5 L/s	Rated: 317 gpm, 20 L/s Max: 655 gpm, 41.3 L/s

<b>Pump Type</b>	Electric Submersible Pumps	
<b>Motor</b>	<b>Phase</b>	3-Phase
	<b>Type</b>	Induction Motor
	<b>Poles</b>	4 Pole (1750 rpm)
	<b>Insulation</b>	Class F
	<b>Protector</b>	Circle Thermal Protector
	<b>Starter</b>	D.O.L.
<b>Lubricant</b>	Food Grade (ISO VG32)	
<b>Specs.</b>	<b>Impeller Type</b>	Opened
	<b>Shaft Seal</b>	Double Mechanical Seal
		Silicon Carbide VS Ceramic/Carbon
	<b>Bearings</b>	C3 Shielded ball bearings
	<b>Cable</b>	CSA-Certified PVC Jacketed Cables
33 ft (10 m) or longer upon request		
<b>Materials</b>	<b>Pump Casing</b>	Ductile Iron
	<b>Impeller</b>	Chromium Iron
	<b>Motor Frame</b>	Gray Iron
	<b>Motor Shaft</b>	Stainless Steel
	<b>Wear Plate</b>	Chromium Iron
	<b>Agitator</b>	Chromium Iron
<b>Max. Liquid Temperature</b>	40°C (104°F)	
<b>Max. Submersion Depth</b>	20 m (66 ft)	
<b>pH Range</b>	pH 5 - pH 8	

